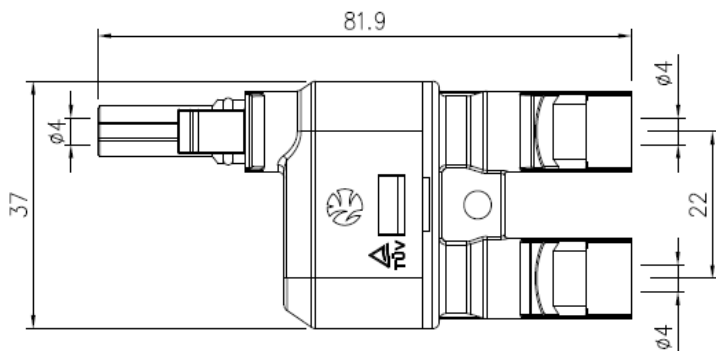


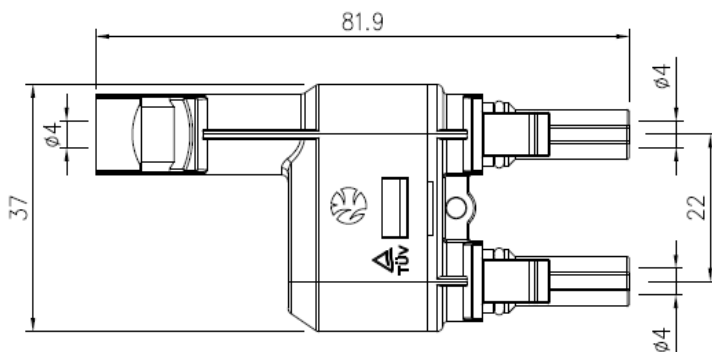
Product Specifications

Insulation material	PPE	Overvoltage category/Pollution degree	CATIII/2
Rated current	30A	Safety degree	II
Rated voltage	1000V (IEC)/600V (UL)	Flame class	UL94-V0
Test voltage	6kV(50Hz, Imin)	Insertion force/Withdrawal force	≤50N / ≥50N
Typical contact resistance	<0.5 mΩ	Ambient temperature range	-40°C...+90°C(IEC)
Contact material	Copper, Tin plated	Upper limiting temperature	110°C(IEC)
Degree of protection	IP2X/IP67		

Drawing:



2 Male to 1 Female	4B0000-001
--------------------	------------



2 Female to 1 Male	4B0001-001
--------------------	------------

